

DATA SHEET

BLY89C VHF power transistor

Product specification
File under Discrete Semiconductors, SC08a

August 1986

VHF power transistor

BLY89C

DESCRIPTION

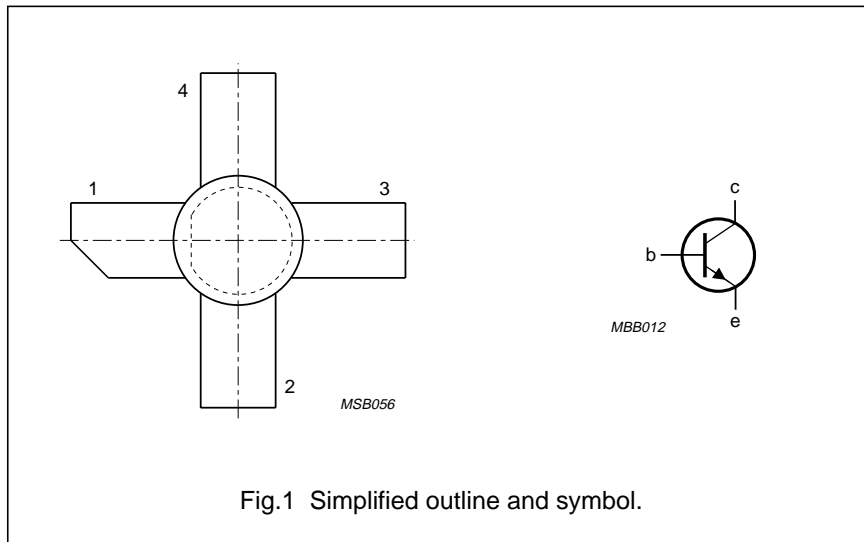
N-P-N silicon planar epitaxial transistor intended for use in class-A, B and C operated mobile, industrial and military transmitters with a nominal supply voltage of 13,5 V. The transistor is resistance stabilized and is guaranteed to withstand severe load mismatch conditions with a supply over-voltage to 16,5 V. It has a 3/8" capstan envelope with a ceramic cap. All leads are isolated from the stud.

QUICK REFERENCE DATA

R.F. performance up to $T_h = 25\text{ }^\circ\text{C}$ in an unneutralized common-emitter class-B circuit

MODE OF OPERATION	V_{CC} V	f MHz	P_L W	G_p dB	η %	\bar{z}_i Ω	\bar{Y}_L mS
c.w.	13,5	175	25	>6	>70	1,6 + j1,4	210 + j5,5

PIN CONFIGURATION



PINNING - SOT120

PIN	DESCRIPTION
1	collector
2	emitter
3	base
4	emitter

PRODUCT SAFETY This device incorporates beryllium oxide, the dust of which is toxic. The device is entirely safe provided that the BeO disc is not damaged.

VHF power transistor

BLY89C

RATINGS

Limiting values in accordance with the Absolute Maximum System (IEC 134)

Collector-emitter voltage ($V_{BE} = 0$)

peak value

V_{CESM} max 36 V

Collector-emitter voltage (open base)

V_{CEO} max 18 V

Emitter-base voltage (open collector)

V_{EBO} max 4 V

Collector current (average)

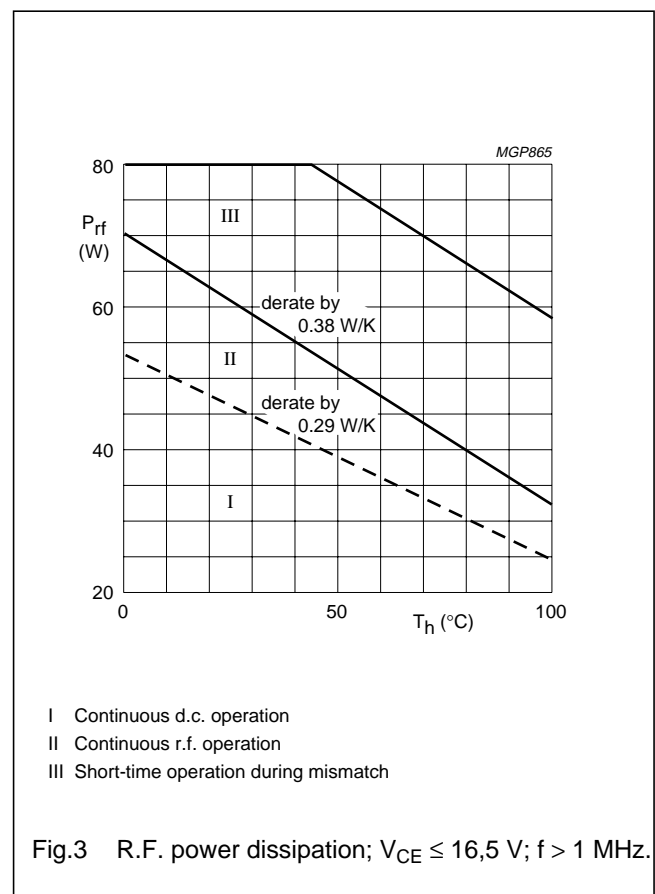
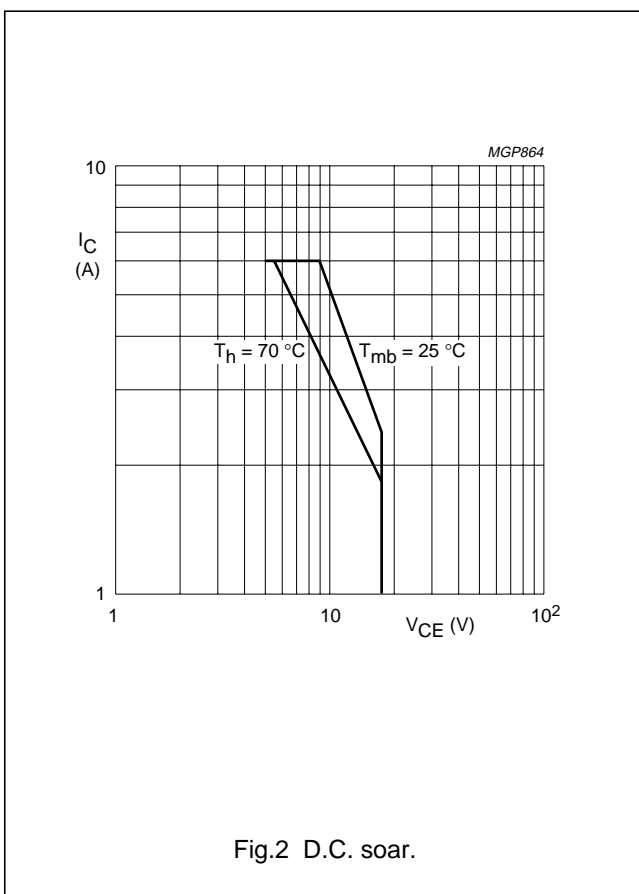
$I_{C(AV)}$ max 6 A

Collector current (peak value); $f > 1$ MHz

I_{CM} max 12 A

R.F. power dissipation ($f > 1$ MHz); $T_{mb} = 25$ °C

P_{rf} max 73 W



THERMAL RESISTANCE

(dissipation 20 W; $T_{mb} = 79$ °C, i.e. $T_h = 70$ °C)

From junction to mounting base (d.c. dissipation)

$R_{th\ j-mb(dc)}$ = 3,1 K/W

From junction to mounting base (r.f. dissipation)

$R_{th\ j-mb(rf)}$ = 2,3 K/W

From mounting base to heatsink

$R_{th\ mb-h}$ = 0,45 K/W

VHF power transistor

BLY89C

CHARACTERISTICS $T_j = 25\text{ }^\circ\text{C}$ **Breakdown voltage**

Collector-emitter voltage

 $V_{BE} = 0; I_C = 25\text{ mA}$ $V_{(BR)CES} > 36\text{ V}$

Collector-emitter voltage

open base; $I_C = 50\text{ mA}$ $V_{(BR)CEO} > 18\text{ V}$

Emitter-base voltage

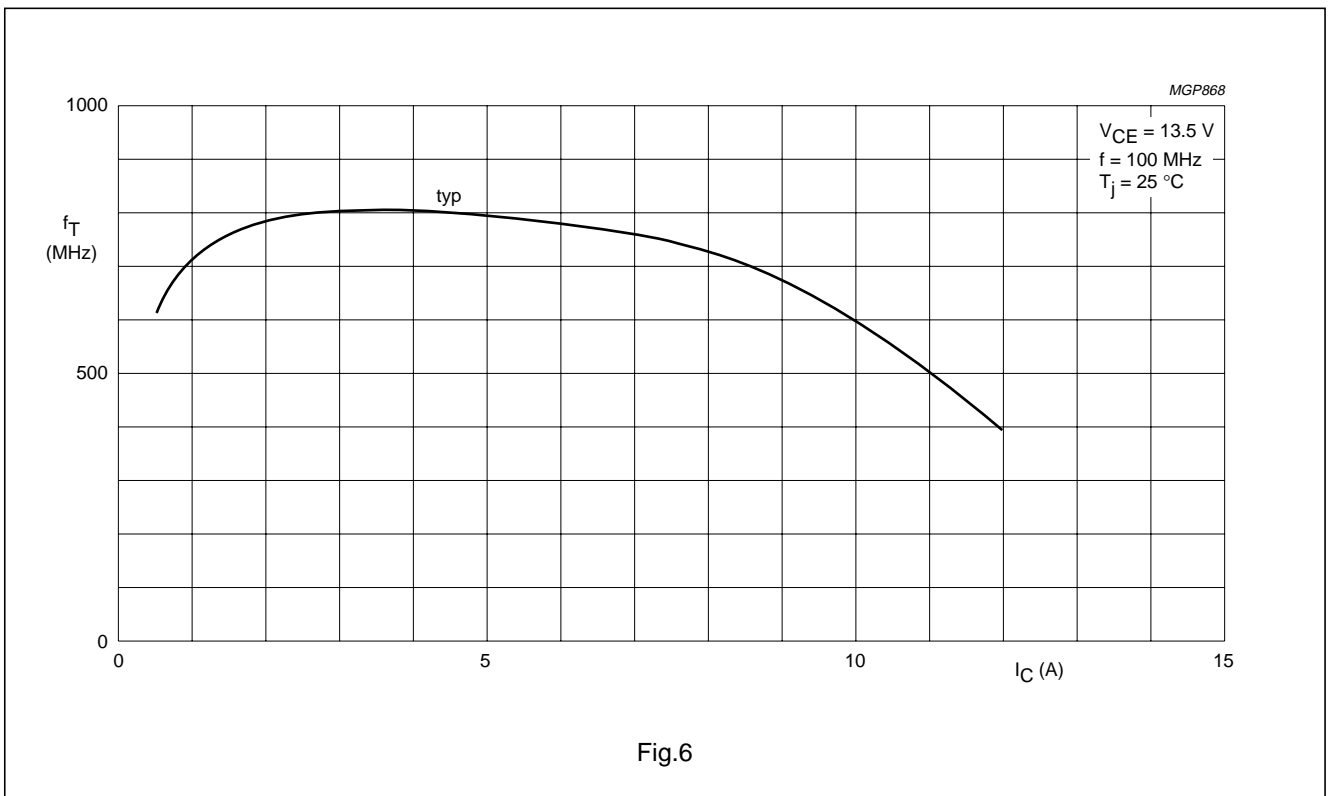
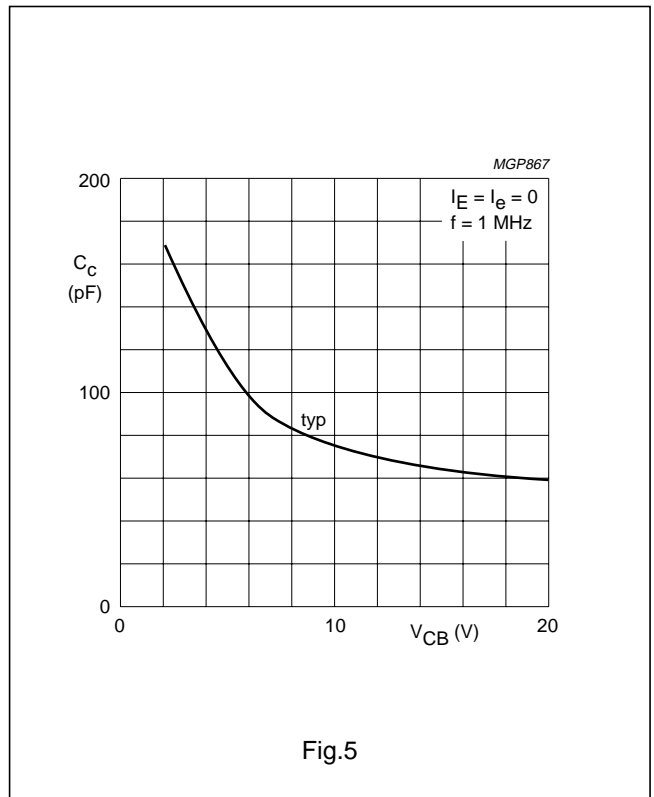
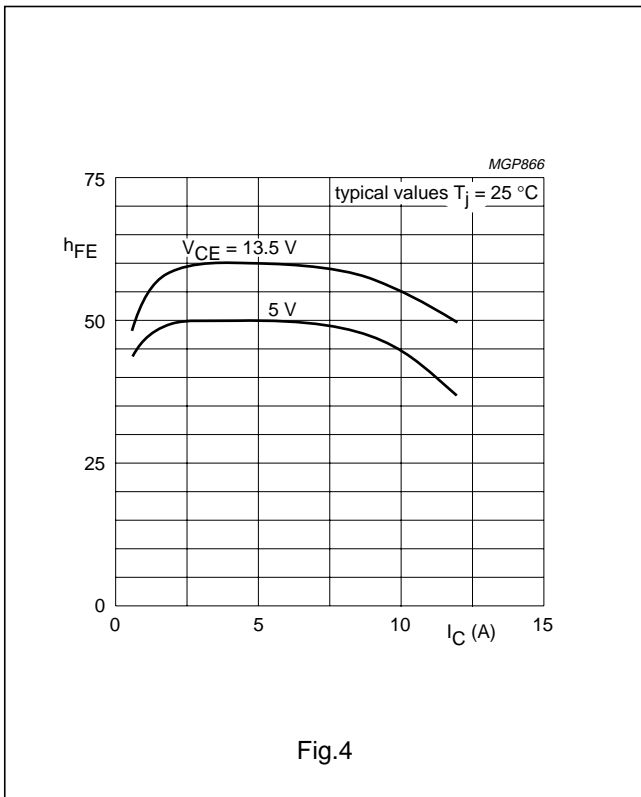
open collector; $I_E = 10\text{ mA}$ $V_{(BR)EBO} > 4\text{ V}$ **Collector cut-off current** $V_{BE} = 0; V_{CE} = 18\text{ V}$ $I_{CES} < 10\text{ mA}$ **Transient energy** $L = 25\text{ mH}; f = 50\text{ Hz}$

open base

 $E > 8\text{ ms}$ $-V_{BE} = 1,5\text{ V}; R_{BE} = 33\text{ }\Omega$ $E > 8\text{ ms}$ **D.C. current gain⁽¹⁾** $I_C = 2,5\text{ A}; V_{CE} = 5\text{ V}$ h_{FE} typ 50
10 to 80**Collector-emitter saturation voltage⁽¹⁾** $I_C = 7,5\text{ A}; I_B = 1,5\text{ A}$ V_{CEsat} typ 1,7 V**Transition frequency at $f = 100\text{ MHz}$ ⁽¹⁾** $I_C = 2,5\text{ A}; V_{CE} = 13,5\text{ V}$ f_T typ 800 MHz $I_C = 7,5\text{ A}; V_{CE} = 13,5\text{ V}$ f_T typ 750 MHz**Collector capacitance at $f = 1\text{ MHz}$** $I_E = I_e = 0; V_{CB} = 15\text{ V}$ C_c typ 65 pF
< 90 pF**Feedback capacitance at $f = 1\text{ MHz}$** $I_C = 100\text{ mA}; V_{CE} = 15\text{ V}$ C_{re} typ 41 pF**Collector-stud capacitance** C_{cs} typ 2 pF**Note**1. Measured under pulse conditions: $t_p \leq 200\text{ }\mu\text{s}; \delta \leq 0,02$.

VHF power transistor

BLY89C



VHF power transistor

BLY89C

APPLICATION INFORMATION

R.F. performance in c.w. operation (unneutralized common-emitter class-B circuit)

 $T_h = 25\text{ }^\circ\text{C}$

f (MHz)	V _{CC} (V)	P _L (W)	P _S (W)	G _p (dB)	I _c (A)	η (%)	\bar{z}_i (Ω)	\bar{Y}_L (mS)
175	13,5	25	< 6,25	> 6	< 2,64	> 70	1,6 + j1,4	210 + j5,5
175	12,5	25	-	typ 6,6	-	typ 75	-	-

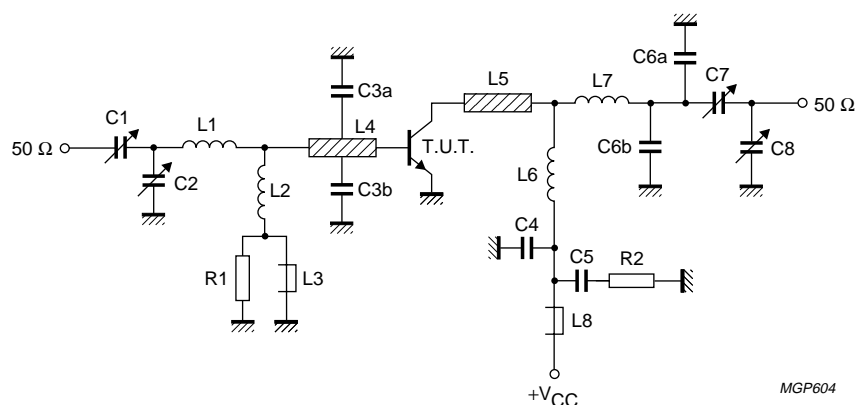


Fig.7 Test circuit for 175 MHz.

List of components:

C1 = 2,5 to 20 pF film dielectric trimmer (cat. no. 2222 809 07004)

C2 = C8 = 4 to 40 pF film dielectric trimmer (cat. no. 2222 809 07008)

C3a = C3b = 47 pF ceramic capacitor (500 V)

C4 = 120 pF ceramic capacitor

C5 = 100 nF polyester capacitor

C6a = C6b = 8,2 pF ceramic capacitor (500 V)

C7 = 5 to 60 pF film dielectric trimmer (cat. no. 2222 809 07011)

L1 = 1 turn enamelled Cu wire (1,6 mm); int. dia. 9,0 mm; leads 2 × 5 mm

L2 = 100 nH; 7 turns closely wound enamelled Cu wire (0,5 mm); int. dia. 3 mm; leads 2 × 5 mm

L3 = L8 = Ferroxcube choke coil (cat. no. 4312 020 36640)

L4 = L5 = strip (12 mm × 6 mm); taps for C3a and C3b at 5 mm from transistor

L6 = 2 turns enamelled Cu wire (1,6 mm); int. dia. 5,0 mm; length 6,0 mm; leads 2 × 5 mm

L7 = 2 turns enamelled Cu wire (1,6 mm); int. dia. 4,5 mm; length 6,0 mm; leads 2 × 5 mm

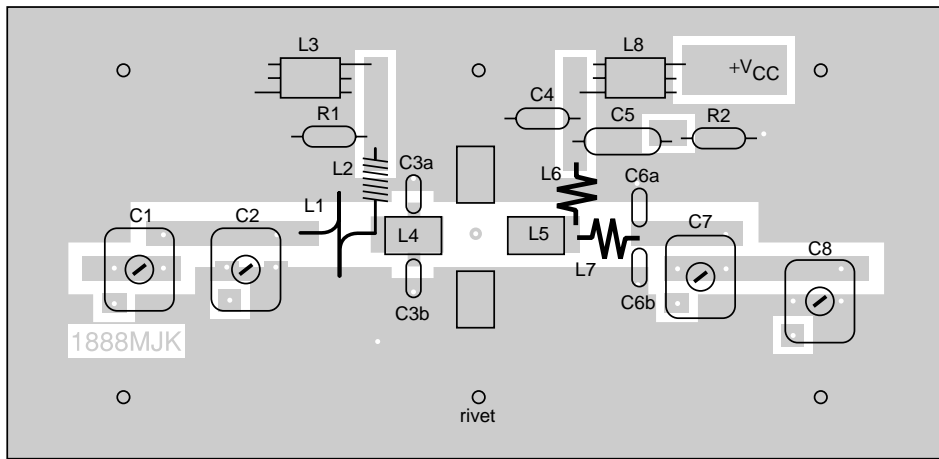
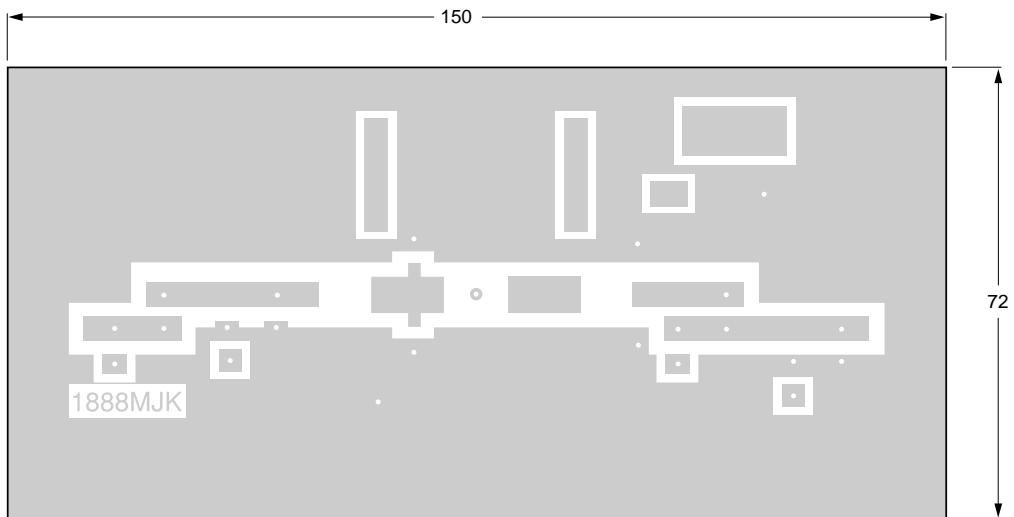
L4 and L5 are strips on a double Cu-clad printed-circuit board with epoxy fibre-glass dielectric, thickness 1/16".

R1 = 10 Ω (±10%) carbon resistor

R2 = 4,7 Ω (±5%) carbon resistor

VHF power transistor

BLY89C



MGP808

Fig.8 Component layout and printed-circuit board for 175 MHz test circuit.

The circuit and the components are situated on one side of the epoxy fibre-glass board, the other side being fully metallized to serve as earth. Earth connections are made by means of hollow rivets, whilst under the emitter leads Cu straps are used for a direct contact between upper and lower sheets.

VHF power transistor

BLY89C

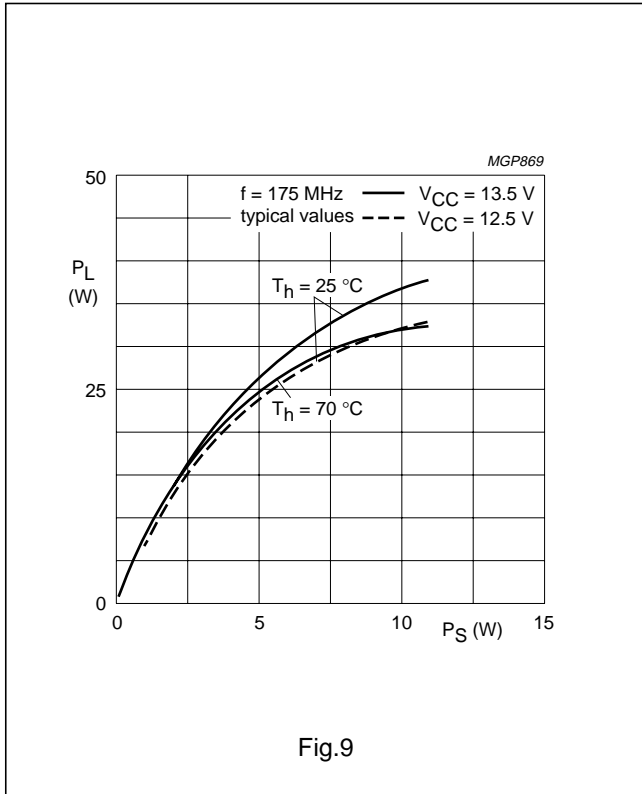


Fig.9

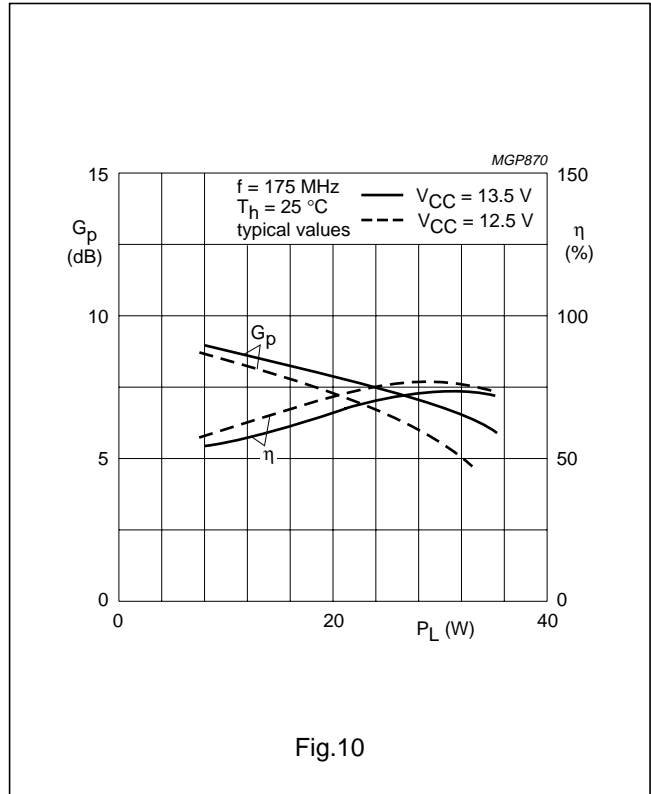


Fig.10

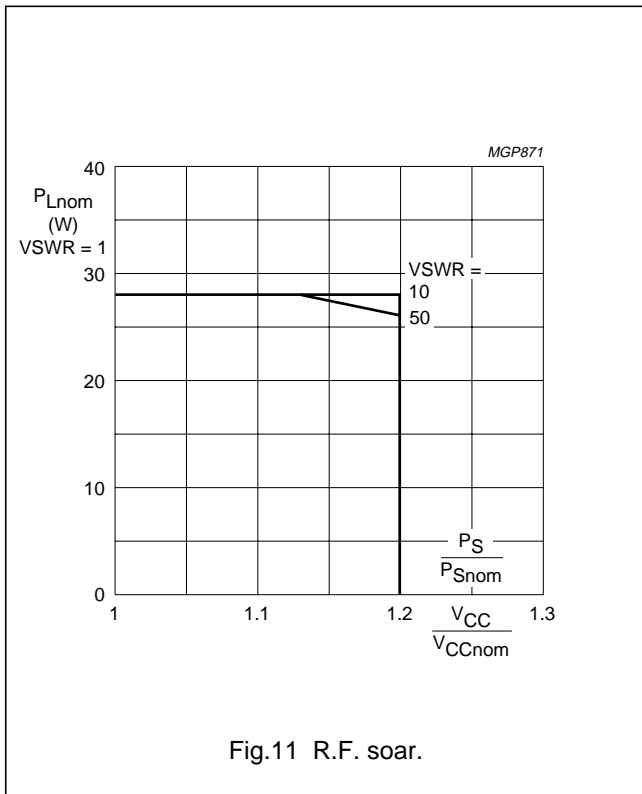


Fig.11 R.F. soar.

Conditions for R.F. SOAR

- $f = 175$ MHz
- $T_h = 70$ °C
- $R_{th\ mb-h} = 0,45$ K/W
- $V_{CCnom} = 13,5$ V
- $P_S = P_{Snom}$ at $V_{CCnom} = 13,5$ V and $VSWR = 1$

The transistor has been developed for use with unstabilized supply voltages. As the output power and drive power increase with the supply voltage, the nominal output power must be derated in accordance with the graph for safe operation at supply voltages other than the nominal. The graph shows the permissible output power under nominal conditions ($VSWR = 1$), as a function of the expected supply over-voltage ratio with $VSWR$ as parameter.

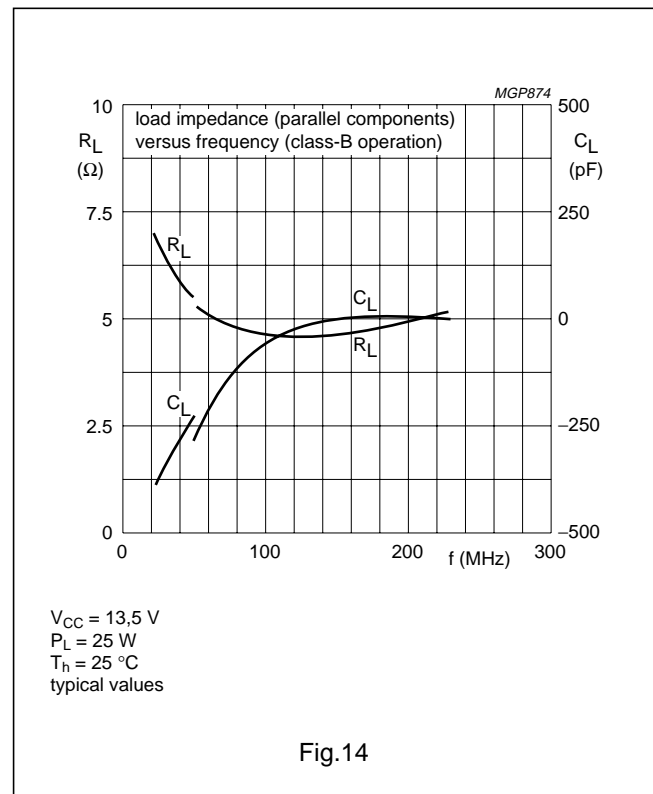
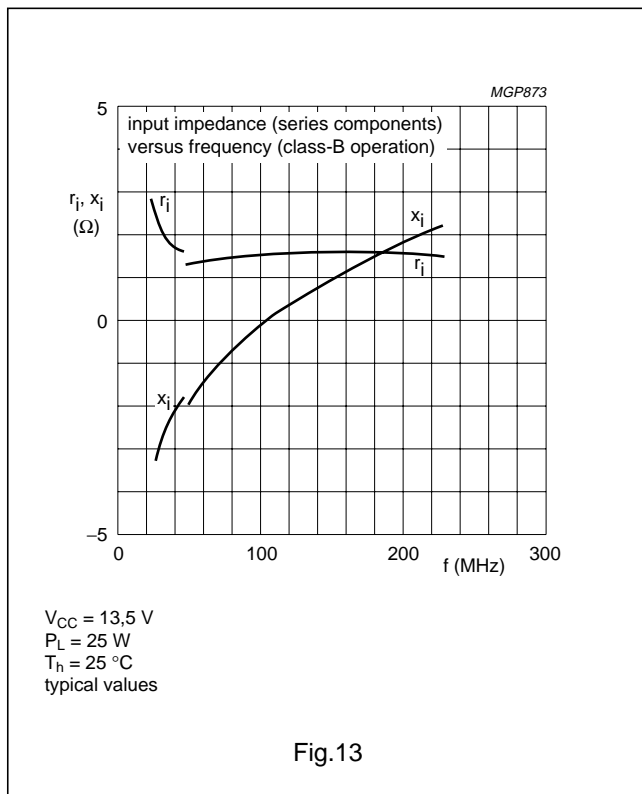
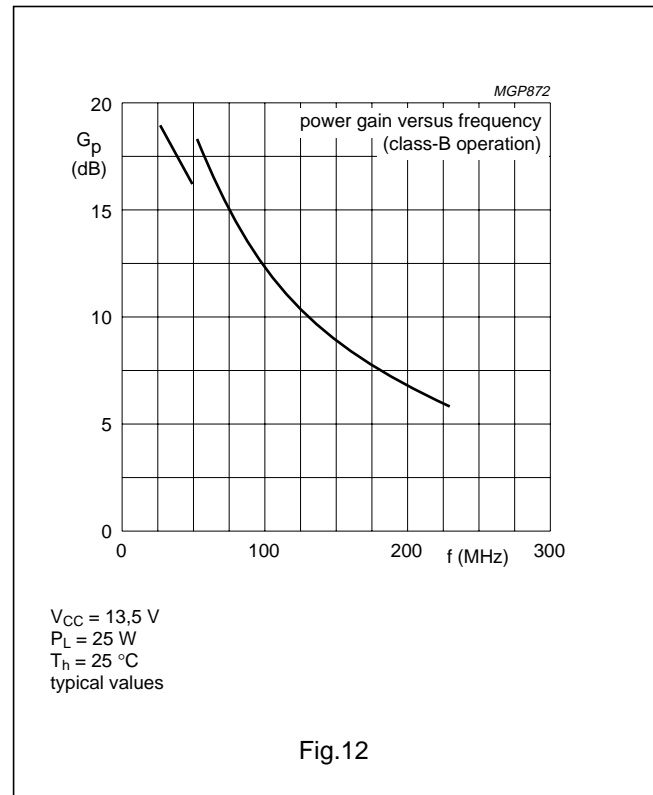
The graph applies to the situation in which the drive (P_S/P_{Snom}) increases linearly with supply over-voltage ratio.

VHF power transistor

BLY89C

OPERATING NOTE

Below 50 MHz a base-emitter resistor of 10 Ω is recommended to avoid oscillation. This resistor must be effective for r.f. only.



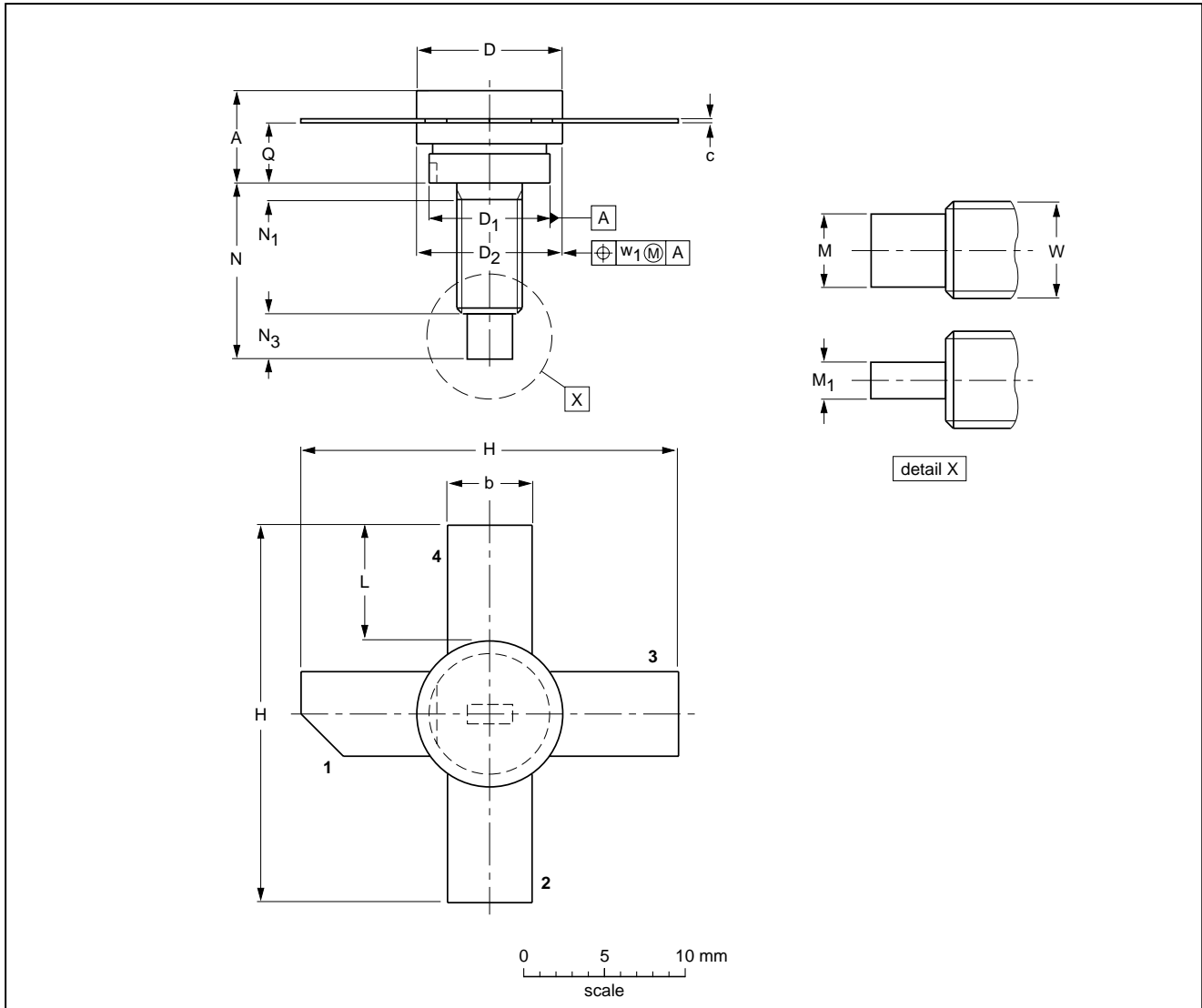
VHF power transistor

BLY89C

PACKAGE OUTLINE

Studded ceramic package; 4 leads

SOT120A



DIMENSIONS (millimetre dimensions are derived from the original inch dimensions)

UNIT	A	b	c	D	D ₁	D ₂	H	L	M	M ₁	N	N ₁	N ₃	Q	W	w ₁
mm	5.97 4.74	5.90 5.48	0.18 0.14	9.73 9.47	8.39 8.12	9.66 9.39	27.44 25.78	9.00 8.00	3.41 2.92	1.66 1.39	12.83 11.17	1.60 0.00	3.31 2.54	4.35 3.98	8-32 UNC	0.38
inches	0.283 0.248	0.232 0.216	0.007 0.004	0.383 0.373	0.330 0.320	0.380 0.370	1.080 1.015	0.354 0.315	0.134 0.115	0.065 0.055	0.505 0.440	0.063 0.000	0.130 0.100	0.171 0.157		0.015

OUTLINE VERSION	REFERENCES				EUROPEAN PROJECTION	ISSUE DATE
	IEC	JEDEC	EIAJ			
SOT120A						97-06-28

VHF power transistor

BLY89C

DEFINITIONS

Data Sheet Status	
Objective specification	This data sheet contains target or goal specifications for product development.
Preliminary specification	This data sheet contains preliminary data; supplementary data may be published later.
Product specification	This data sheet contains final product specifications.
Limiting values	
Limiting values given are in accordance with the Absolute Maximum Rating System (IEC 134). Stress above one or more of the limiting values may cause permanent damage to the device. These are stress ratings only and operation of the device at these or at any other conditions above those given in the Characteristics sections of the specification is not implied. Exposure to limiting values for extended periods may affect device reliability.	
Application information	
Where application information is given, it is advisory and does not form part of the specification.	

LIFE SUPPORT APPLICATIONS

These products are not designed for use in life support appliances, devices, or systems where malfunction of these products can reasonably be expected to result in personal injury. Philips customers using or selling these products for use in such applications do so at their own risk and agree to fully indemnify Philips for any damages resulting from such improper use or sale.